

# PRESYS®

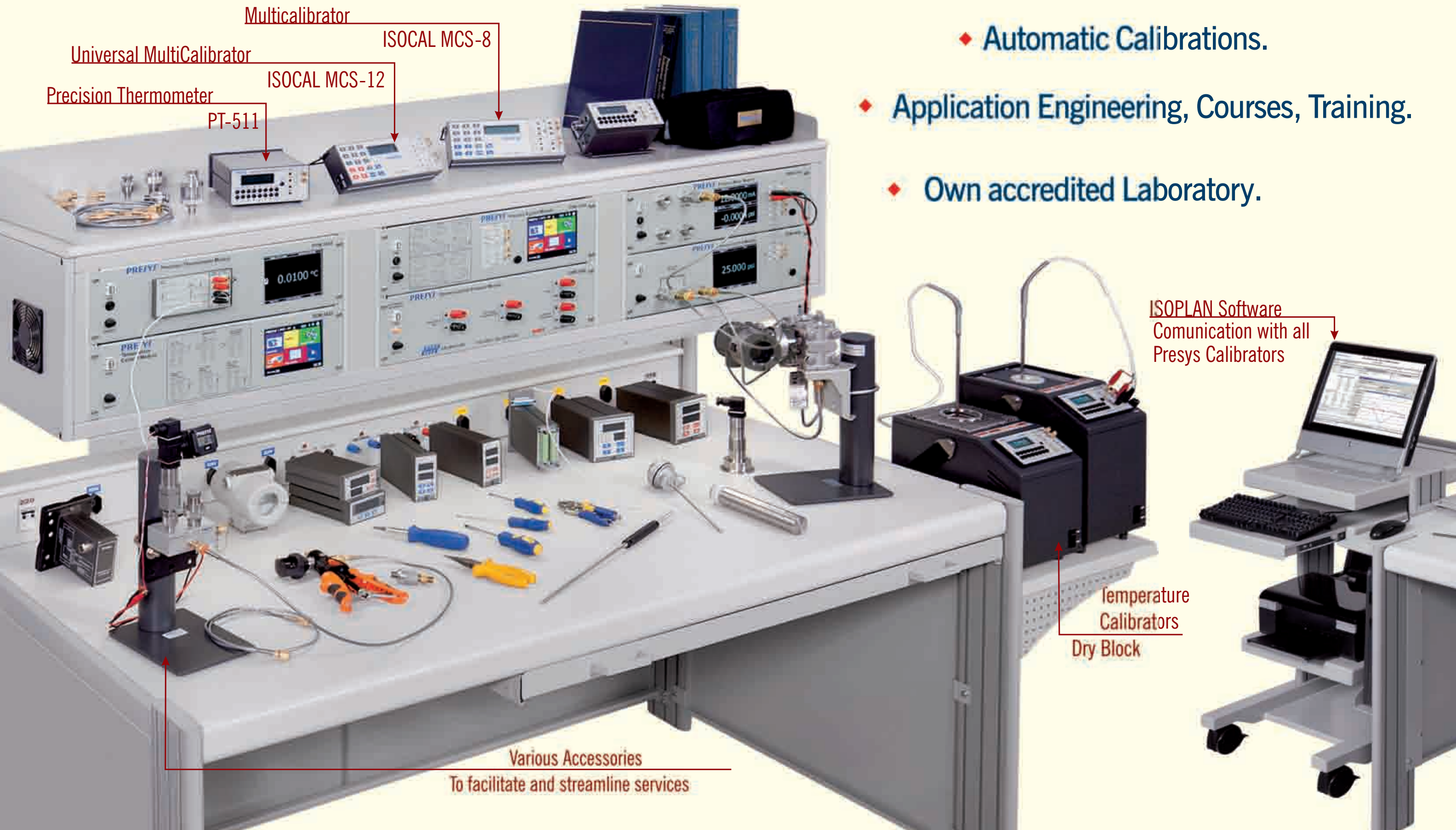
## Calibration Workstation



keep your process  
always in the right measure.

# Highest Value in Modern Metrology

- ◆ Complete Solutions for Pressure, Temperature, and Electric Signals.
- ◆ Integrated Systems - Software ISOPLAN.
- ◆ Automatic Calibrations.
- ◆ Application Engineering, Courses, Training.
- ◆ Own accredited Laboratory.



Multicalibrator  
Universal MultiCalibrator  
Precision Thermometer  
PT-511  
ISOCAL MCS-12  
ISOCAL MCS-8

ISOPLAN Software  
Communication with all  
Presys Calibrators

Temperature  
Calibrators  
Dry Block

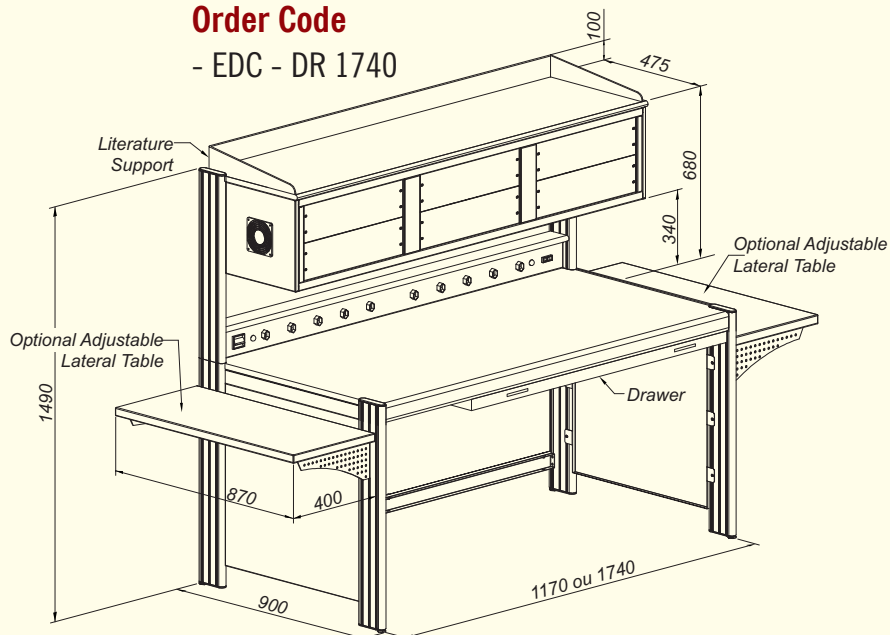
Various Accessories  
To facilitate and streamline services

# Dimensions and Configurations

## Three Double Modules

### Order Code

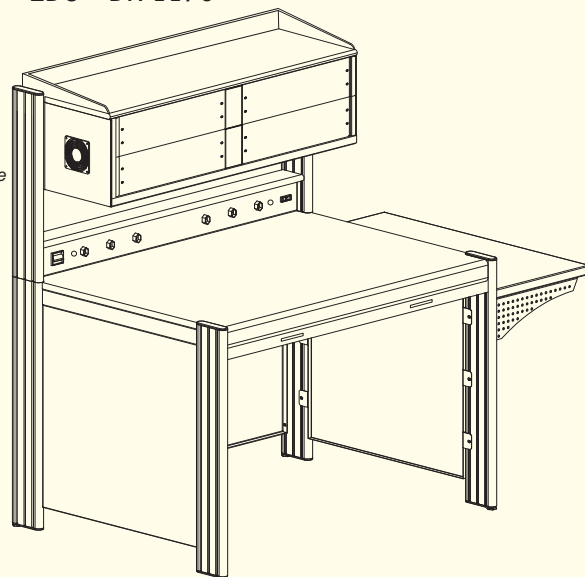
- EDC - DR 1740



## Two Double Modules

### Order Code

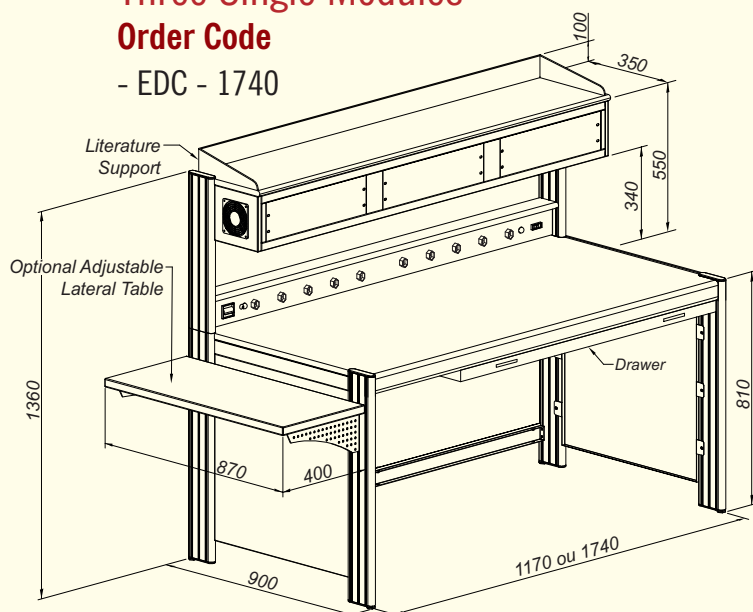
- EDC - DR 1170



## Three Single Modules

### Order Code

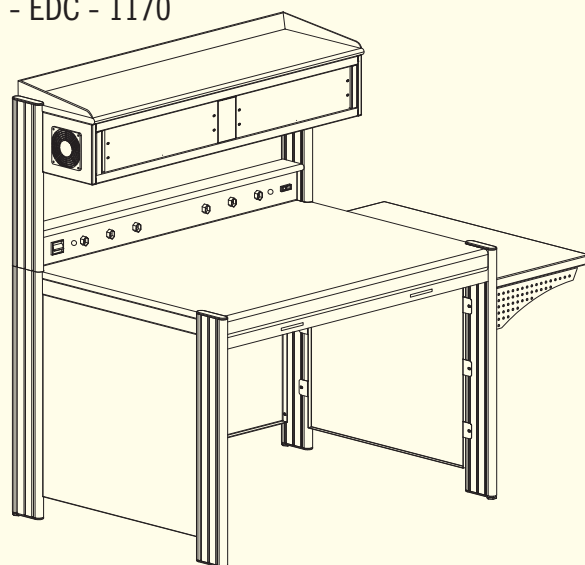
- EDC - 1740



## Two Single Modules

### Order Code

- EDC - 1170



Note: Dimensions in millimeters  
(mm)

"Choose any type of calibrator available and where you wish it to be mounted. Thus, the workstation is supplied to meet the customer's desired application."