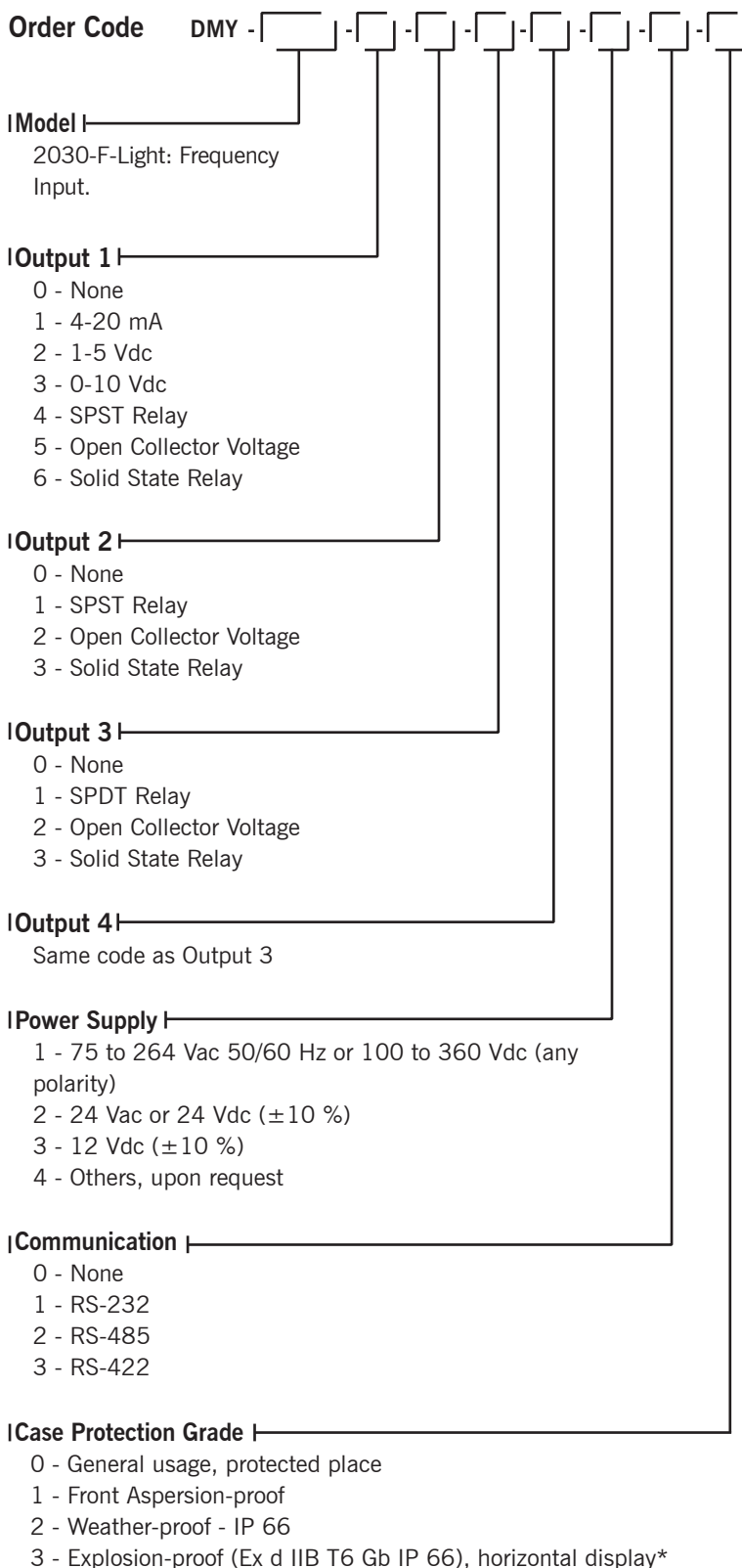




Frequency Digital Indicator Single DMY-2030-F-*Light*

- Input frequency up to 30 kHz, from 300 mVpp to 30 Vpp.
- 4 1/2 digit display of high visibility.
- Power supply of 75-264 Vac, 50/60 Hz or 100 to 360 Vdc; 24 Vac/dc and 12 Vdc, as ordered.
- Fully configurable by front-panel push-buttons. Configuration stored in non-volatile memory.
- Many optional modules are available:
 - Analog output modules of 4-20 mA, 1-5 Vdc and 0-10 Vdc.
 - Up to 2 digital output modules with SPST relay + 2 with SPDT relay modules.
 - Aspersion-proof front-panel.
 - Communication RS-232 or RS-422/485 with computer
- High accuracy.



Specifications

Input

One frequency input to connect signals in the wave shapes sine, square, triangle, pulse with amplitude between 300 mVpp and 30 Vpp and dry contact input. 70 Vdc maximum voltage. Input impedance greater than 60 kΩ (sine wave, 1 kHz).

Outputs

4-20 mA (750 Ω maximum load), 1-5 Vdc or 0-10 Vdc analog retransmitter. Galvanically isolated module to 300 Vac from power supply and inputs. Up to 2 SPDT + 2 SPST relay modules, rated for 3A/220 Vac. Logic signal, open collector transistor, 24 Vdc/40 mA maximum with isolation. Solid state relay, 2A/250 Vac with isolation.

Serial Communication

RS-232 or RS-422/485 with 50 Vdc isolation. MODBUS®-RTU Communication Protocol.

Indication

4 ½ digit red leds display (14 mm).

Configuration

By front-panel push-buttons and internal jumpers

Sampling Rate

71 ms standard. Half second display update rate.

Accuracy

± 1 Display resolution for input. ± 0.5 % of full scale for analog retransmitter output.

Power Supply for frequency sensors

24 Vdc / 50 mA maximum, isolated from output with short-circuit protection.

Power Supply

75 to 264 Vac 50/60 Hz or 100 to 360 Vdc (10 W nominal); 24 Vac/dc (±10 %); 12 Vdc (±10 %).

Operating Range

0 to 60 °C temperature and 90 % maximum relative humidity.

Dimensions

1/8 DIN (48 x 96 x 187 mm) HxWxD, (45 x 92 mm) HxW panel cutout.

Weight

0.5 kg nominal.

Warranty

One year.

* Explosion-proof box:

Dimensions

310 x 310 x 200 mm (HxWxD)

Weight

11 kg approx.