

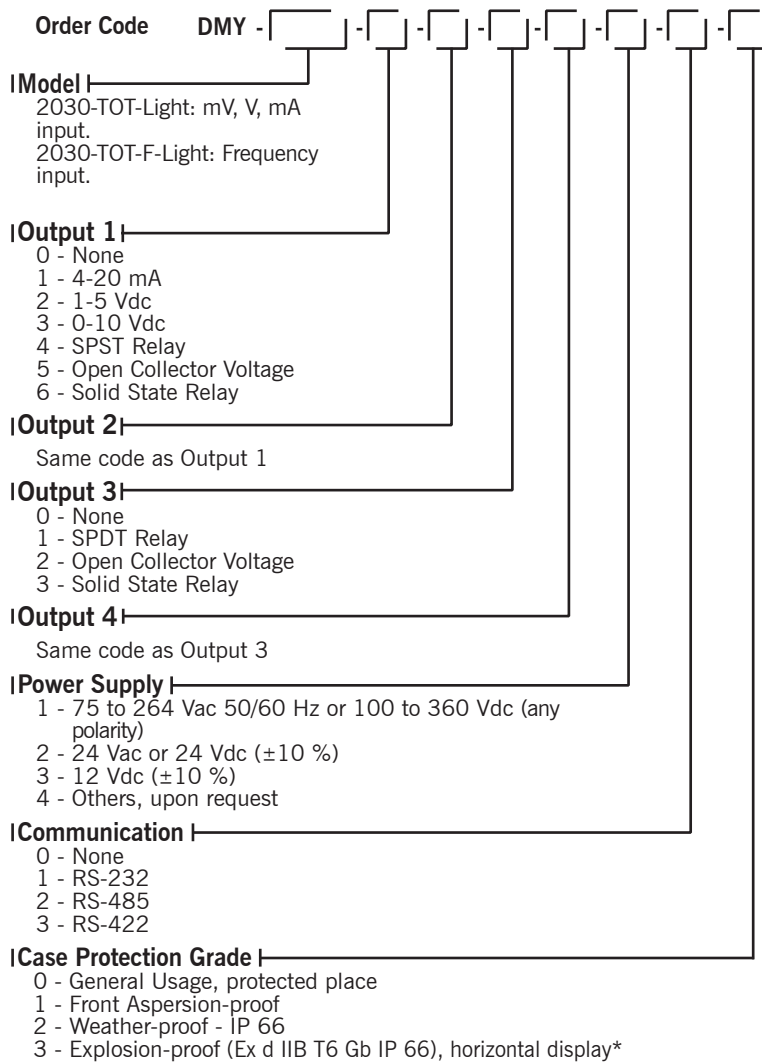


# Process Indicator and Totalizer Single

## DMY-2030-TOT-*Light*

## DMY-2030-TOT-F-*Light*

- DMY-2030-TOT-Light: One universal input.
- DMY-2030-TOT-F-Light: One frequency input.
- 8-digit configurable display.
- Digital input for partial totalization reset.



### Specifications

- Inputs**  
**DMY-2030-TOT-Light:** Configurable input for 0-55 mV, 4-20 mA, 1-5 Vdc and 0-10 Vdc. 4-20 mA with input impedance of 250  $\Omega$ . >10 M $\Omega$  up to 5 Vdc and 2 M $\Omega$  above 5 Vdc.  
**DMY-2030-TOT-F-Light:** frequency input for signals up to 30 kHz, from 300 mVpp to 30 Vpp digital input. 70 V maximum DC voltage. Input impedance greater than 60 k $\Omega$  (sine, 1 kHz).
- Outputs**  
 4-20 mA (750  $\Omega$  maximum load), 1-5 Vdc or 0-10 Vdc analog retransmitter. Up to 2 galvanically isolated modules to 300 Vac from power supply and inputs. Up to 2 SPDT relay modules and up to 2 SPST relay modules, rated for 3A/220 Vac. Logic signal, open collector transistor, 24 Vdc/40 mA maximum with isolation. Solid state relay, 2A/250 Vac with isolation.
- Serial Communication**  
 RS-232 or RS-422/485 with 50 Vdc isolation. MODBUS<sup>®</sup>-RTU Communication Protocol.
- Indication**  
 8-digit red leds display (9 mm) for totalization and 5-digit for indication. Can be configured together with the decimal point.
- Totalization Range**  
 0 to 99999999 configured together with the decimal point.
- Configuration**  
 By front-panel push-buttons and internal jumpers.
- Sampling Rate**  
 120 ms standard. One second display update rate.
- Accuracy**  
 $\pm 0.1\%$  of full scale for TC, RTD, mA, mV and Vdc.  
 $\pm 0.5\%$  of full scale for analog retransmitter output.  
 $\pm 1$  Display resolution for frequency input.
- Linearization**  
 14 configurable input points.
- Square Root Extraction**  
 $\pm 0.5\%$  of reading, for input above 10% of span.  
 Programmable Cut-off from 0 to 5%.
- 2-wire Transmitter Power Supply**  
 24 Vdc/50 mA maximum, isolated from output with short circuit protection.
- Span Temperature Coefficient**  
 $\pm 0.005\%$  of span /  $^{\circ}\text{C}$  using 25  $^{\circ}\text{C}$  as the reference temperature.
- Power Supply**  
 75 to 264 Vac 50/60 Hz or 100 to 360 Vdc (10 W nominal);  
 24 Vac/dc ( $\pm 10\%$ ); 12 Vdc ( $\pm 10\%$ ).
- Operating Range**  
 0 to 60  $^{\circ}\text{C}$  temperature and 90% maximum relative humidity.
- Dimensions**  
 1/8 DIN (48 x 96 x 187 mm) HxWxD, (45 x 92 mm) HxW panel cutout.
- Weight**  
 0.5 kg nominal.
- Warranty**  
 One year.

\* Explosion-proof box:  
**Dimensions:** 310 x 310 x 200 mm (HxWxD)  
**Weight:** 11 kg nominal