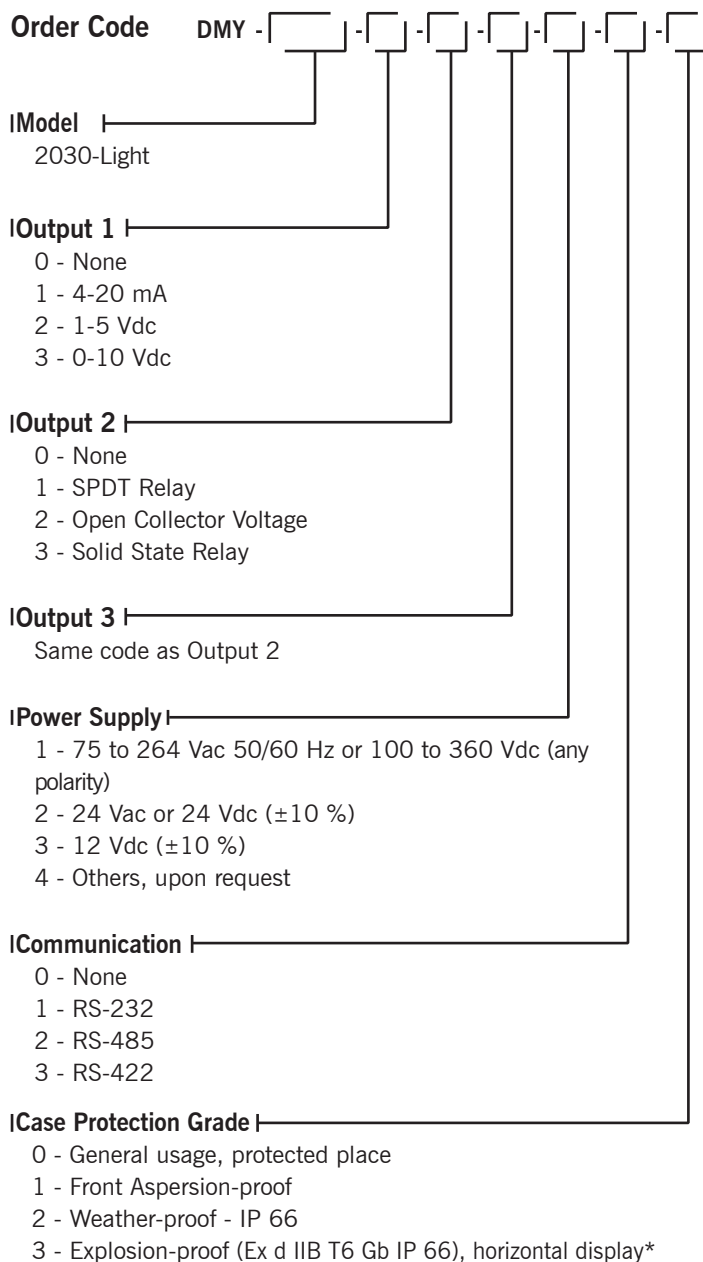




# Universal Digital Indicator Single

## DMY-2030-*Light*

- DMY-2030-Light: Universal input for RTD, thermocouples, 0-55 mV, 4-20 mA, 1-5 Vdc and 0-10 Vdc.
- 4 ½ digit display of high visibility.
- Linearization for RTD and TC, square root extraction function.
- Power supply of 75-264 Vac, 50/60 Hz or 100 to 360 Vdc; 24 Vac/dc and 12 Vdc, as ordered.
- Fully configurable by front-panel push-buttons. Configuration stored in non-volatile memory.
- Many optional modules are available:
  - Analog output modules of 4-20 mA, 1-5 Vdc and 0-10 Vdc.
  - Up to 2 SPDT relay alarm modules.
  - Aspersion-proof front-panel.
  - Communication RS-232 or RS-422/485 with computer.
- High accuracy.



\* Explosion-proof box:  
**Dimensions**  
 310 x 310 x 200 mm (HxWxD)  
**Weight**  
 11 kg approx.

## Specifications

### Inputs

Configurable for TC (J, K, T, E, R, S under ITS-90), 0-55 mV, RTD under DIN 43760, 4-20 mA, 1-5 Vdc and 0-10 Vdc. Input impedance of 250  $\Omega$  for mA, >10 M $\Omega$  up to 5 Vdc and 2 M $\Omega$  above 5 Vdc.

### Outputs

4-20 mA (750  $\Omega$  maximum load), 1-5 Vdc or 0-10 Vdc analog retransmitter. Galvanically isolated module to 300 Vac from power supply and inputs. Up to 2 SPDT relay modules, rated for 3A/220 Vac. Logic signal, open collector transistor, 24 Vdc/40 mA maximum with isolation. Solid state relay, 2A/250 Vac with isolation.

### Serial Communication

RS-232 or RS-422/485 with 50 Vdc isolation. MODBUS®-RTU Communication Protocol.

### Indication

4 ½ digit red leds display (14 mm).

### Configuration

By front-panel push-buttons and internal jumpers.

### Sampling Rate

64 ms standard.

### Accuracy

$\pm 0.1\%$  of full scale for TC, RTD, mA, mV and Vdc inputs.  
 $\pm 0.5\%$  of full scale for analog retransmitter output.

### Linearization

$\pm 0.1\%$  for RTD and  $\pm 0.2\%$  for TC.

### Square Root Extration

$\pm 0.5\%$  of reading, for inputs above 10 % of span. Programmable cut-off from 0 to 5 %.

### Cold Junction Compensation

$\pm 2.0\%$  in ambient temperature range from 0 to 60 °C.

### 2-Wire Transmitter Power Supply

24 Vdc/50 mA maximum, isolated from output, with short-circuit protection.

### Span Temperature Coefficient

$\pm 0.005\%$  of span / °C using 25 °C as the reference temperature

### Power supply

75 to 264 Vac 50/60 Hz or 100 to 360 Vdc (10 W nominal); 24 Vac/dc ( $\pm 10\%$ ); 12 Vdc ( $\pm 10\%$ ).

### Operating Ambient

0 to 60 °C temperature and 90 % maximum relative humidity.

### Dimensions

1/8 DIN (48 x 96 x 187 mm) HxWxD, (45 x 92 mm) HxW panel cutout.

### Weight

0.5 kg nominal.

### Warranty

One year.