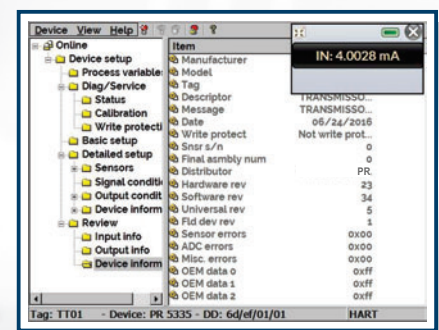
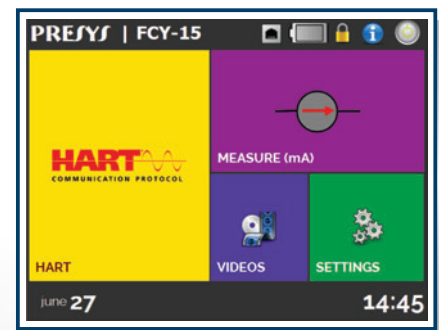


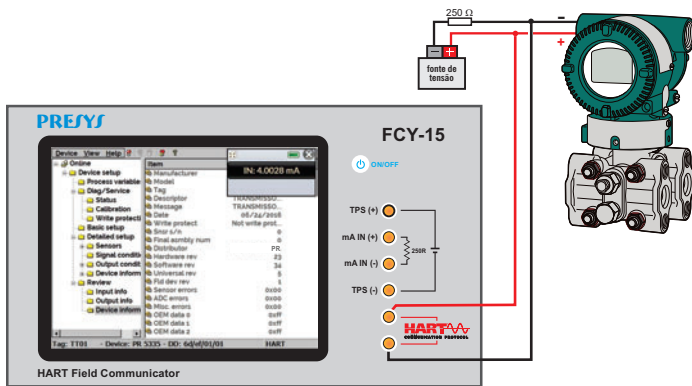
HART® Field Communicator FCY-15



Full Hart® Configurator

- Full HART® Configurator with the latest Device Descriptions (DD's) Library, registered in *FieldComm Group*, updatable by user through USB port.
- It allows the inclusion of new DD's not registered in *FieldComm Group*.
- Access to setup entire instrument's parameters tree with HART® protocol, regardless of manufacturer or model.
- It has 24 V power supply for two wire transmitters with internal resistor or 250 Ω selectable.
- Input for measuring current, allowing the instrument *trim* and *loop test* without a calibrator.
- Upload, saves and downloads HART® instruments settings, allowing a backup on your computer.
- Portable, powered by Li-Po batteries, rechargeable for continuous use for up to 12 hours in the field.
- Color touchscreen display 5.7".
- HART® configuration interface in two levels: HART® Calibration and Full HART®.
- Supports HART 5, 6, 7.



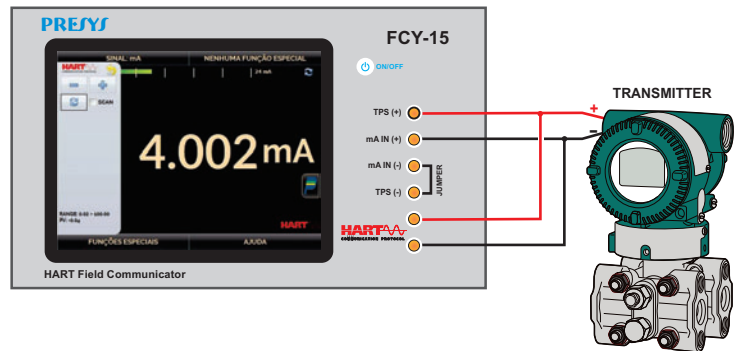


HART® configuration interface in two levels:

Calibration: for a quick adjust and configuration, accessing only the main commands like: zero, span, *trim* and mA.

Full: complete access of all configuration parameters tree, using a DD library.

Current input with high accuracy, allowing the instrument *TRIM* and *loop test*.



Battery and Operation Time:	Li-Po (Lithium-Polymer) rechargeable, with 4200 mA.h. 12h of continuous use. Fully charged in only 3 hours.
Operation Environment:	Temperature from 0 to 50 °C and Maximum Relative Humidity of 90 % (non-condensing)
Dimensions:	140 mm x 225 mm x 80 mm / 5.51" x 8.86" x 3.15" (HxWxD)
Weight:	1,5 kg (3.3 lbs)
Display:	5,7" TFT VGA touchscreen 640 x 480 px
Processor:	Dual Core 1 GHz, with 512 MB RAM and internal Flash with 1GB
Memory:	16 GB for user
Warranty:	1 year

mA Specifications:

Range	Resolution	Accuracy	Remarks
-1 to 24,5 mA	0,0001 mA	± 0,02 % FS	R input < 120 Ω

Included Accessories:

- Soft Carrying case for transport and field use;
- Battery charger;
- USB cable for HART® library update;
- Test Lead kit;
- 32mA spare fuse for mA input;
- mA input Calibration Certificate;
- Technical Manual;



Due to our continuous development and improvement program, we reserve the right to change or modify the features and design without notice.

